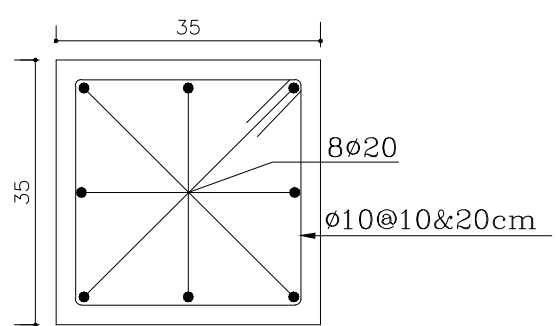
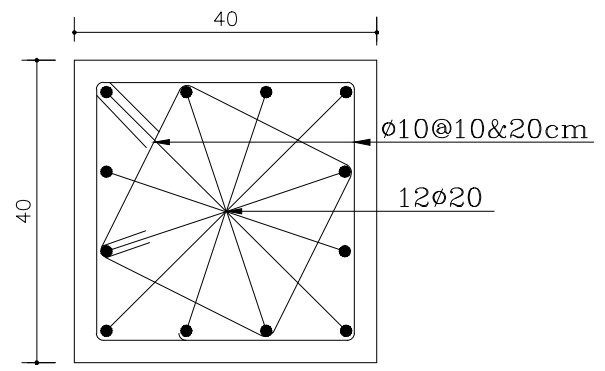


**COLUMN TYPE C1**

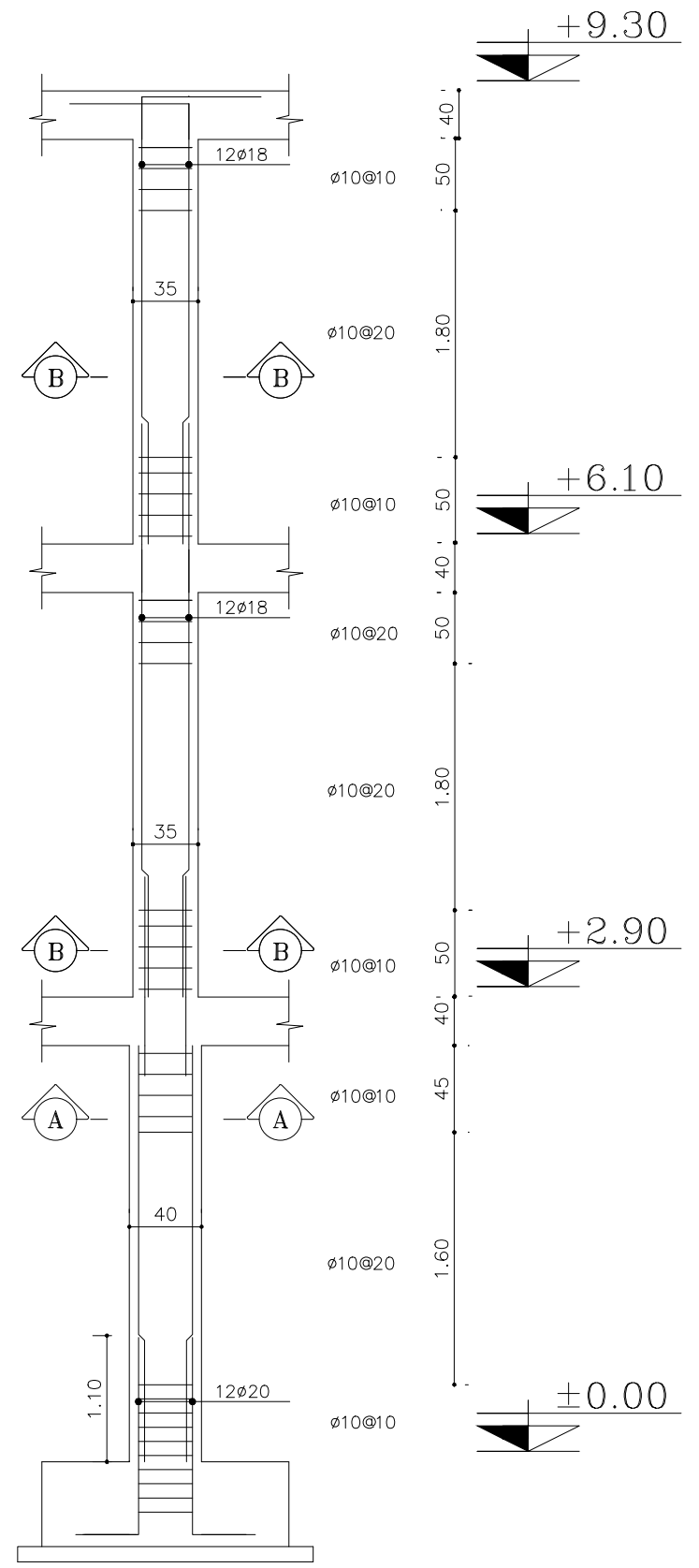
SC. HOR=1:25  
VER=1:50  
NO=12



**SECTION B-B**  
SC=1:10



**SECTION A-A**



**COLUMN TYPE C1-a**

SC. HOR=1:25  
VER=1:50  
NO=12