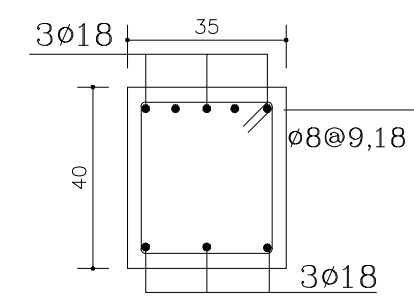


SECTION a-a  
SC=1:10

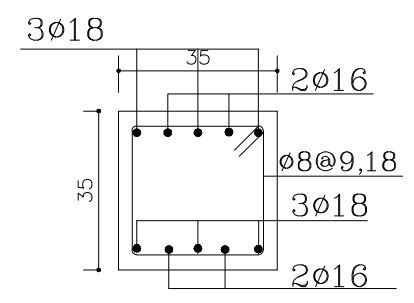
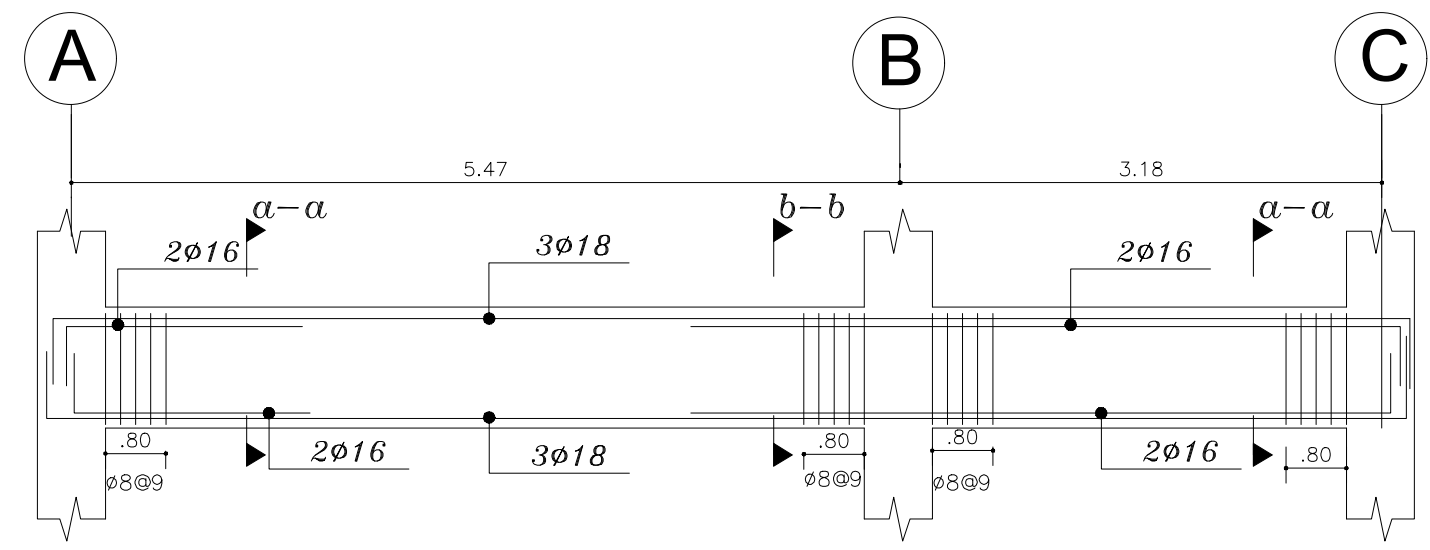
BE-1



SECTION b-b  
SC=1:10

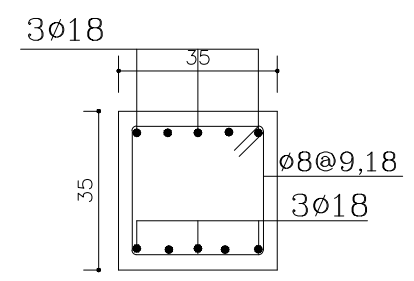
BE-1

BE-1  
Hor=1:50  
Sc: Ver=1:25 N=



SECTION a-a  
SC=1:10

BE-2  
Hor=1:50  
Sc: Ver=1:25 N=



SECTION a-a  
SC=1:10